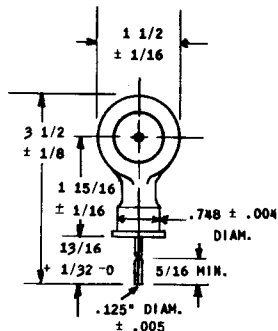
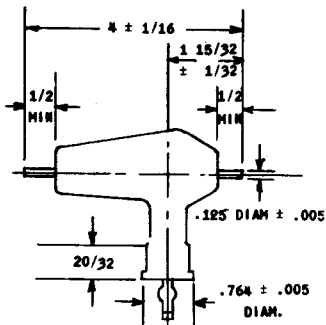


TUNG-SOL

VACUUM SWITCH



THE IS22 IS A SINGLE POLE, DOUBLE THROW, HIGH VACUUM SWITCH. THE SWITCH IS ACTUATED MECHANICALLY BY MEANS OF A LEVER ARM EXTENDING THROUGH A FLEXIBLE KOVAR DIAPHRAGM. HIGH CURRENTS AND HIGH VOLTAGES MAY BE SWITCHED WITH A MINIMUM AMOUNT OF SPARKING AND OXIDATION AT THE CONTACT POINTS BECAUSE OF THE "BREAK CLEAN" CHARACTERISTICS OF A VACUUM SWITCH.

THE IS22 HAS HAD SUCCESSFULL APPLICATION IN AIRBORNE EQUIPMENT PARTICULARLY AS AN ANTENNA SWITCH. IT HAS ALSO FOUND APPLICATION IN EXPLOSIVE ATMOSPHERES, IN CORROSIVE ATMOSPHERES AND IN SAFETY LOAD DUMPING CIRCUITS.

ELECTRICAL DATA

MAXIMUM CONTINUOUS CURRENT, RMS	20	AMPS
MAXIMUM INITIAL CONTACT RESISTANCE	0.05	OHMS

MECHANICAL DATA

	MIN.	MAX.	
ARM TRAVEL (MEASURED 5/8" FROM DIAPHRAGM)	.009	.017	INCHES
ACTUATING FORCE (MEASURED 5/8" FROM DIAPHRAGM)	200	500	GRAMS
MAXIMUM ALLOWABLE ACTUATING FORCE	---	1000	GRAMS

ALTITUDE RATINGS

ALTITUDE	EXTERNAL HOLD-OFF VOLTAGE (RMS)	INTERNAL HOLD-OFF VOLTAGE (RMS) ←
27,000 FT	10,000 VOLTS	10,000 VOLTS
40,000	7,500	10,000
50,000	5,000	10,000

→ INDICATES A CHANGE.

CONTINUED ON FOLLOWING PAGE

TUNG-SOL

CONTINUED FROM PRECEDING PAGE

INTERRUPTING RATINGS

FOR INFORMATION ONLY

WITH RESISTIVE LOAD AT 10,000 V. RMS AT 60 CPS.

OPERATIONS	AMPERES
1000	10.0
1,000,000	3.0
500,000,000	0.1