

# \*DIGITRON—Long Life 7 Character End-Viewing GR 7 M

## Cold Cathode Register Tube Containing

Characters +, -, V, A,  $\Omega$ , %, and ~

### Characteristics & Recommended Operating Conditions

(at room temperature unless otherwise stated)

Minimum anode to cathode voltage to ensure breakdown	160V
Nominal running voltage at 2mA	140V
D.C. Operation -	
Recommended Cathode Current	2mA
Min. Positive bias on non-conducting cathodes (See Note 1)	60V
Half-wave A.C. Supply -	
Recommended Cathode Current, average	1.5mA
	peak 7mA
Min. Positive bias on non-conducting cathodes (See Note 1)	40V
Life Expectancy (2mA Cathode Current)	
Continuous ionisation of one Cathode	>5,000 hours
Sequentially Switching Cathodes every 100 hours or less	>30,000 hours

### Absolute Maximum Ratings

Cathode current (each character) -	
Maximum average (averaging time = 20mS)	2.5mA
Maximum peak	10mA
Minimum for D.C. operation	1.0mA
Bulb temperature -	
Maximum	+ 70°C
Minimum	-50°C

#### Notes: -

- (1) Under limit conditions some deterioration of the glow appearance may occur during life. To minimise this, the voltage between the conducting and non-conducting cathodes should be as high as possible.

\* Registered Trade Mark



# GR 7 M \*DIGITRON—Long Life 7 Character End-Viewing Cold-Cathode Register Tube Containing Characters +, -, V, A, Ω, %, and ~

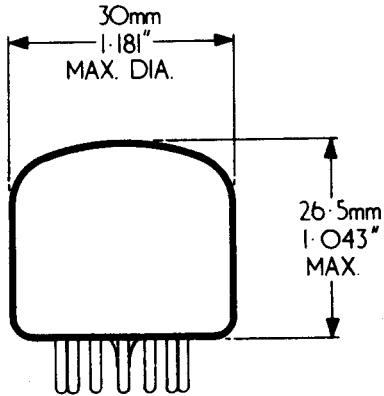
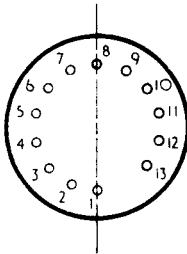
## Mechanical Data

Mounting position  
Base  
Socket

Any  
B13B  
B13B

Base Connections  
(underside view)

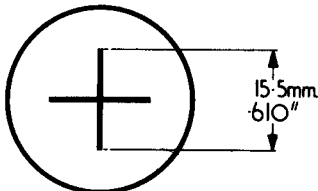
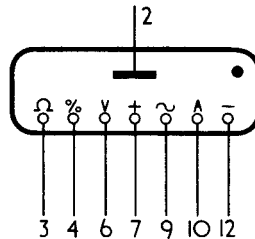
CENTRE LINE OF CHARACTERS



The dome of the tube  
is filter coated

- Pin 2 Anode
- 3 Cathode Ω
- 4 Cathode %
- 6 Cathode V
- 7 Cathode +
- 9 Cathode ~
- 10 Cathode A
- 12 Cathode -

Note - All other pins are  
to be left unconnected.



\* Registered Trade Mark

