

~~IDENTIFY DATA SHEET~~
MAINTENANCE TYPE ONLY

*** DIGITRONS - 12 Character Side-Viewing
Cold-Cathode Letter Tubes**

**GR 12 G
GR 12 H**

GR12G Tube contains the letters A to L inclusive

GR12H Tube contains the letters L to X excluding P and Q
but additionally including E.

Limit Ratings

Maximum cathode current:-

Letter I	5 mA
Letters L and T	5.5 mA
Letters J and F	7.5 mA
Remaining letters	9.0 mA

Minimum voltage necessary to ensure breakdown 220V

Characteristics

Nominal running voltage:-

Letter I at 4.5 mA	170V
Letters L and T at 5.0 mA	175V
Letters J and F at 6.25 mA	185V
Remaining letters at 7.5 mA	175V

A cathode left floating will assume some potential between that of the anode and the glowing cathode.

It should be noted that non-glowing cathodes must not be returned to a bias rail, but should be left disconnected.

Recommended Operating Conditions

D.C. operation

Anode Supply Voltage - $R_a = 10k\Omega$ 250V

A.C. operation

(Unsmoothed half-wave rectified 50 c.p.s. A.C.)

Anode Supply Voltage - $R_a = 12k\Omega$ 200-220V r. m. s.
 $R_a = 18k\Omega$ 220-250V r. m. s.

Cathode equalizing resistors ($V_a = 250V$ only).

Letter I	8.2k Ω
Letters L and T	4.7k Ω

* Registered Trade Mark



~~RG-9-1~~

~~CONFIDENTIAL DATA SHEET~~
MAINTENANCE TYPE ONLY

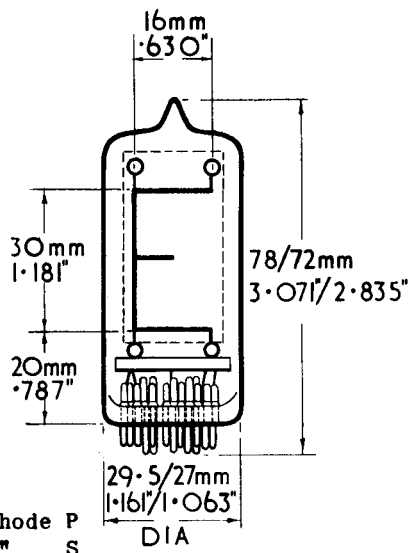
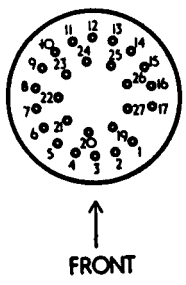
GR 12 G
GR 12 H

**DIGITRONS -12 Character Side-Viewing
 Cold-Cathode Letter Tubes**

Mechanical Data

Mounting Position Any
 Base B26A
 Socket B17, B26A or B27A

Base Connections
 (Underside view)

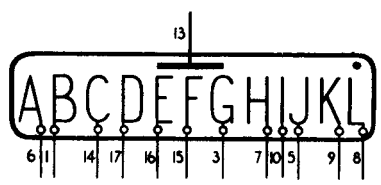


G12G

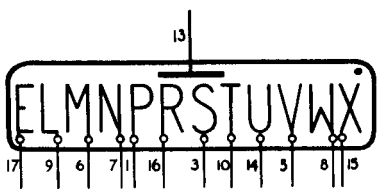
Pin 1	Cathode	B
3	"	G
5	"	J
6	"	A
7	"	H
8	"	L
9	"	K
10	"	I
13	Anode	
14	Cathode	C
15	"	F
16	"	E
17	"	D

GR12H

Pin 1	Cathode	P
3	"	S
5	"	V
6	"	M
7	"	N
8	"	W
9	"	L
10	"	T
13	Anode	
14	Cathode	U
15	"	X
16	"	R
17	"	E



GR 12 G



GR 12 H

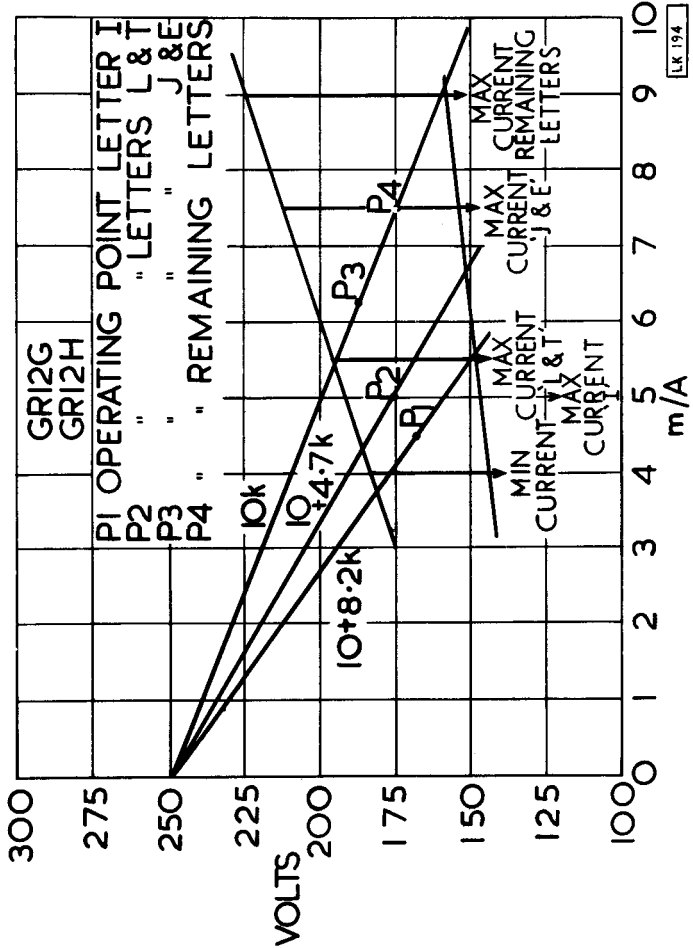
Note: Pins 2, 4, 11 and 12 must be left unconnected.



MAINTENANCE TYPE ONLY

* DIGITRONS -12 Character Side-Viewing
Cold-Cathode Letter Tubes

GR 12 G
GR 12 H



LK 194

Operating Characteristics

* Registered Trade Mark



